

VENTILATION SCHEDULE 2010 FLORIDA MECHANICAL CODE

SUPPLY UNIT NUMBER	ROOM NAME	CATEGORY	FLOOR AREA SQ. FT.	ORDINANCE REQUIREMENT			ACTUAL VENT.		EXHAUST FAN NUMBER	REMARKS	
				NUMBER OF OCCUPANTS AND/OR FIXTURES	CODE REQUIREMENTS	PEOPLE OUTDOOR AIRFLOW RATE	REQUIRED VENTILATION (CFM)	OUTSIDE AIR CFM			EXHAUST CFM
RTU-1	PROCESSING ROOM	STORAGE	1,010	---	0.12 CFM PER SQUARE FEET	---	121	150	---		
	JANITOR'S CLOSET	STORAGE	41	---	0.12 CFM PER SQUARE FEET	---	5	75	EF-4	ADJACENT TRANSFER SUPPLY AIR	
	ELECTRICAL ROOM	STORAGE	125	---	0.12 CFM PER SQUARE FEET	---	15	600	EF-3	ADJACENT TRANSFER SUPPLY AIR	
RTU-2	BREAK ROOM	DINING ROOM	318	6	0.18 CFM PER SQUARE FEET	7.5 CFM PER PERSON	102	150	600	EF-2	ADJACENT TRANSFER SUPPLY AIR
	EQUIPMENT ROOM	STORAGE	41	---	0.12 CFM PER SQUARE FEET	---	5	150	EF-2	ADJACENT TRANSFER SUPPLY AIR	
	MANAGERS OFFICE	OFFICE	105	2	0.08 CFM PER SQUARE FEET	5 CFM PER PERSON	16	---	---	---	
	CASH OFFICE	OFFICE	60	1	0.06 CFM PER SQUARE FEET	5 CFM PER PERSON	9	---	---	---	
	OFFICE HALL	CORRIDOR	60	---	0.06 CFM PER SQUARE FEET	---	4	---	---	---	
RTU-3, 5, 6, 7	SALES	RETAIL	15,249	229	0.12 CFM PER SQUARE FEET	7.5 CFM PER PERSON	3,547	3,600	---	---	
RTU-4	WOMEN'S FITTING ROOM	RETAIL	394	6	0.12 CFM PER SQUARE FEET	7.5 CFM PER PERSON	92	200	---	---	
	MEN'S FITTING ROOM	RETAIL	204	4	0.12 CFM PER SQUARE FEET	7.5 CFM PER PERSON	54	---	---	---	
	FITTING ROOM FOYER	RETAIL	149	3	0.12 CFM PER SQUARE FEET	7.5 CFM PER PERSON	40	---	---	---	
	MENS ROOM	TOILET ROOMS	174	2 FIXTURES	50 CFM PER FIXTURE	---	100	225	EF-1	ADJACENT TRANSFER SUPPLY AIR	
	WOMENS ROOM	TOILET ROOMS	227	2 FIXTURES	50 CFM PER FIXTURE	---	100	225	EF-1	ADJACENT TRANSFER SUPPLY AIR	
	RESTROOM HALL	CORRIDOR	68	---	0.08 CFM PER SQUARE FEET	---	4	---	---	---	
TOTAL						3,974	4,100	1,875			

ROOFTOP UNIT SCHEDULE

MARK	MODEL NUMBER	NOMINAL TONS	REQUIRED O.A. CFM	FAN DATA			COOLING DATA			HEATING DATA			ELECTRICAL DATA		EER/IEER/SEER	TOTAL WEIGHT WITH CURB lbs	REMARKS	
				CFM	ESP	HP	TOTAL TONS	CONDENSING CAPACITY (GPH)	CONDENSING CAPACITY (GPH)	CONDENSING CAPACITY (GPH)	CONDENSING CAPACITY (GPH)	RW	ΔT	V/PH				MCA
RTU-1	LCH0604E	5	150	2000	0.95	1.0	59.6	44.8	76.2	64.2	91	15.0	17.8	208/3	49	50	12.7--17.1	765
RTU-2	LCH0984E	3	150	1200	0.95	0.50	34.4	26.2	76.9	64.9	91	7.5	14.8	208/3	25	30	12.7--18.0	671
RTU-3	LCH1204B	10	750	4000	0.80	3.0	118.7	82.5	77.9	65.9	91	22.5	13.4	208/3	72	80	12.2/13.2--	1311
RTU-4	LCH0484E	4	200	1600	0.80	0.75	49.0	35.6	76.9	64.9	91	7.5	11.1	208/3	28	40	12.8--17.6	687
RTU-5	LCH1204B	10	750	4000	0.80	3.0	118.7	82.5	77.9	65.9	91	22.5	13.4	208/3	72	80	12.2/13.2--	1311
RTU-6	LCH1564B	13	925	5200	0.80	3.0	150.7	109.0	77.9	65.9	91	30.0	13.7	208/3	92	100	12.0/13.6--	2063
RTU-7	LCH1804B	15	1175	6000	0.80	3.0	174.7	127.7	77.9	65.9	91	45.0	17.8	208/3	131	150	12.0/13.5--	2243

- ONLY ACCEPTABLE MANUFACTURER: LENNOX BY NATIONAL ACCOUNT. NO SUBSTITUTIONS ALLOWED.
 - FIELD ADJUST SUPPLY FAN RPM TO PROVIDE AIR QUANTITIES AS SCHEDULED ABOVE.
 - ALL RTUs TO BE FURNISHED WITH FITTED DROP-IN BURGULAR BARS.
 - RTU-6 & 7 TO BE FURNISHED WITH POWER EXHAUST.
 - ALL RTUs TO BE FURNISHED WITH 14" DOWN FLOW CURBS.
 - ALL RTUs TO BE FURNISHED WITH FACTORY INSTALLED AND WIRED HACR CIRCUIT BREAKERS.
 - ALL RTUs TO BE FURNISHED WITH FACTORY INSTALLED 120V GFCI CONVENIENCE OUTLET, TO BE FIELD WIRED.
 - ALL RTUs SHALL HAVE SMOKE DETECTORS FACTORY INSTALLED IN THE SUPPLY & RETURN SECTION.
 - ALL RTUs TO BE FURNISHED WITH BACNET ENABLED PROOXY CONTROL BOARDS.
 - ALL RTUs TO BE FURNISHED WITH COASTAL CORROSION PROTECTION PACKAGE.

AIR DISTRIBUTION DEVICE SCHEDULE

MARK	NECK	FACE	TYPE	STYLE	MAKE/MODEL	DAMPER	FINISH	REMARKS
S1	SEE PLAN	24X24	SUPPLY	PERFORATED	TITUS/PCS-AA	NONE	WHITE ENAMEL	LAY-IN, PROVIDE WITH 2" WAY DEFLECTOR WHERE SHOWN ON PLAN (HALLWAYS).
S2	SEE PLAN	24X24	SUPPLY	LOUVERED	THERMAFUSER/TF-HC	NONE	WHITE ENAMEL	LAY-IN AND SURFACE MOUNT, MATCH CEILING TYPE.
S3	12"Ø	27"Ø	SUPPLY	LOUVERED	TITUS/TMRA-AA	NONE	WHITE ENAMEL	DUCT MOUNT MOUNT 3" BELOW LIGHTS
S4	SEE PLAN	24X24	SUPPLY	LOUVERED	TITUS/TDC-AA	NONE	WHITE ENAMEL	DIFFUSERS IN BATHROOMS AND FITTING ROOMS TO BE SURFACE MOUNTED.
S5	SEE PLAN	12X12	SUPPLY	LOUVERED	TITUS/272FS	NONE	WHITE ENAMEL	SURFACE MOUNT
S6	SEE PLAN	SEE PLAN	SUPPLY	DRUM	CURBS PLUS / DLPD	NONE	WHITE ENAMEL	SALES FLOOR 4-WAY DRUM DIFFUSER. SIZE PER CFM SHOWN ON PLAN.
R1	SEE PLAN	24X24	RETURN	PERFORATED	TITUS/PAR-AA	NONE	WHITE ENAMEL	LAY-IN, 23x22 NECK IN SALES AREA.
R2	SEE PLAN	SEE PLAN	RETURN	LOUVERED	TITUS/309L	NONE	WHITE ENAMEL	SURFACE MOUNT
E1	SEE PLAN	12X12	EXHAUST	LOUVERED	TITUS/309L	NONE	WHITE ENAMEL	SURFACE MOUNT, FURNISH SQUARE TO ROUND NECK TRANSITION.
E2	SEE PLAN	24X24	EXHAUST	PERFORATED	TITUS/PAR-AA	NONE	WHITE ENAMEL	LAY-IN
E3	SEE PLAN	SEE PLAN	EXHAUST	LOUVERED	TITUS/309L	NONE	WHITE ENAMEL	SURFACE MOUNT AS HIGH AS POSSIBLE WITH OPPOSED BLADE DAMPER.

- PROVIDE ALUMINUM DIFFUSERS, REGISTERS & GRILLES.

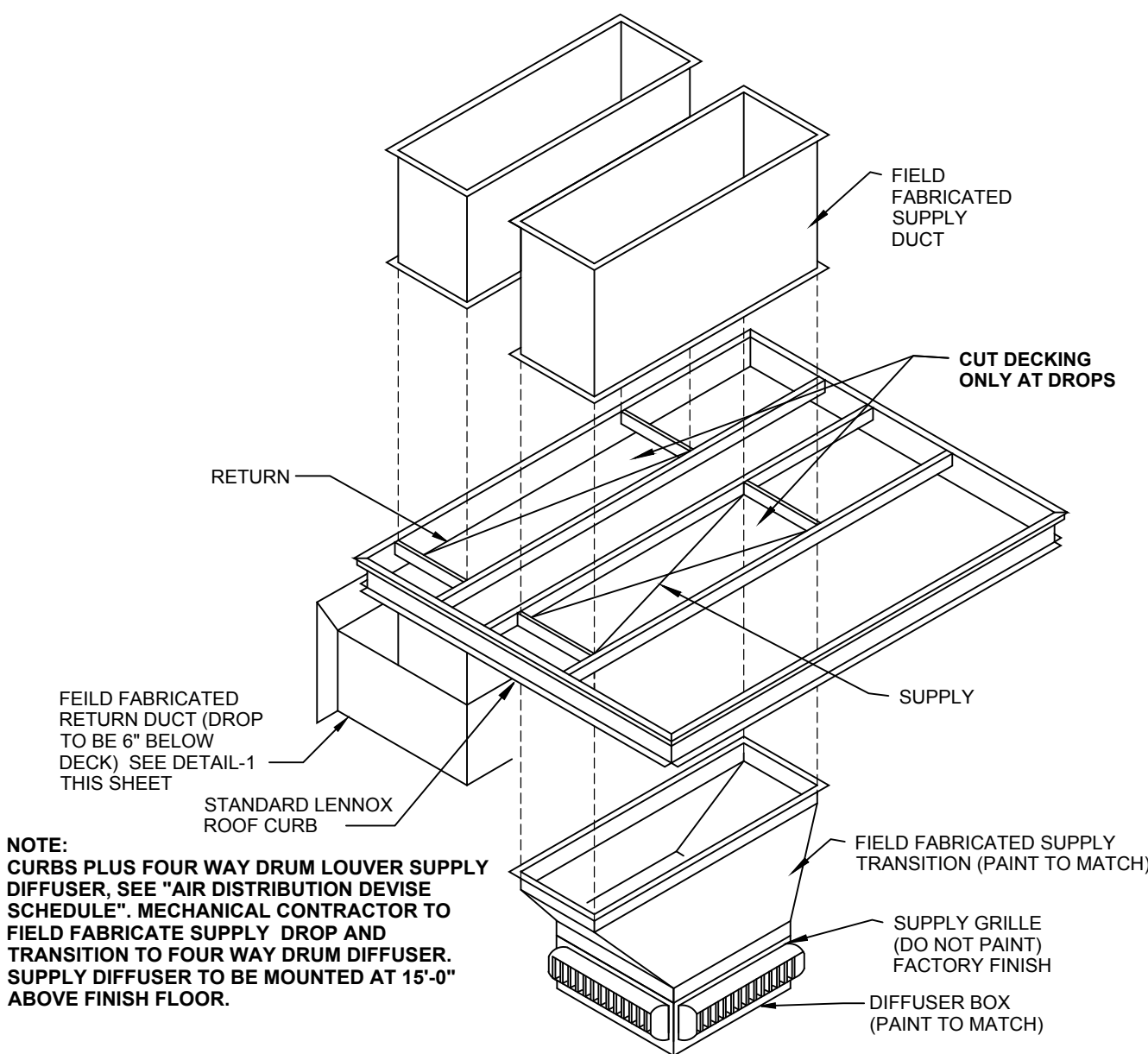
FAN SCHEDULE

MARK	MODEL NUMBER	FAN DATA			V/PH	FAN TYPE	DRIVE	SONES	REMARKS	AREA CONTROLLED
		CFM	ESP	HP						
EF-1	GB-101	500	0.375	1/4	120/1	CENTRIFUGAL	BELT	3.4	CONTROLLED BY EMS	RESTROOMS
EF-2	GB-101	750	0.25	1/4	120/1	CENTRIFUGAL	BELT	4.4	CONTROLLED BY EMS & TSTAT IN EQUIP. CLOSET	LOCKER RM & EQUIP. CLOSET
EF-3	GB-101	600	0.25	1/4	120/1	CENTRIFUGAL	BELT	4.4	CONTROLLED BY TSTAT	ELECTRIC ROOM
EF-4	GB-071	100	0.375	1/8	120/1	CENTRIFUGAL	BELT	3.2	CONTROLLED BY EMS	JANITOR'S CLOSET

- FAN MANUFACTURED BY GREENHECK
 - ALL FANS SHALL BE FURNISHED WITH DISCONNECT SWITCHES
 - EF-2&3, LINE VOLTAGE TSTATS PROVIDED AND INSTALLED BY MECHANICAL, WIRED BY ELECTRICAL CONTRACTOR
 - PROVIDE BURGULAR BARS
 - PROVIDE 1/2" MANUFACTURER'S CURB
 - PROVIDE BACKDRAFT DAMPER
 - ALL FANS TO BE BELT DRIVE

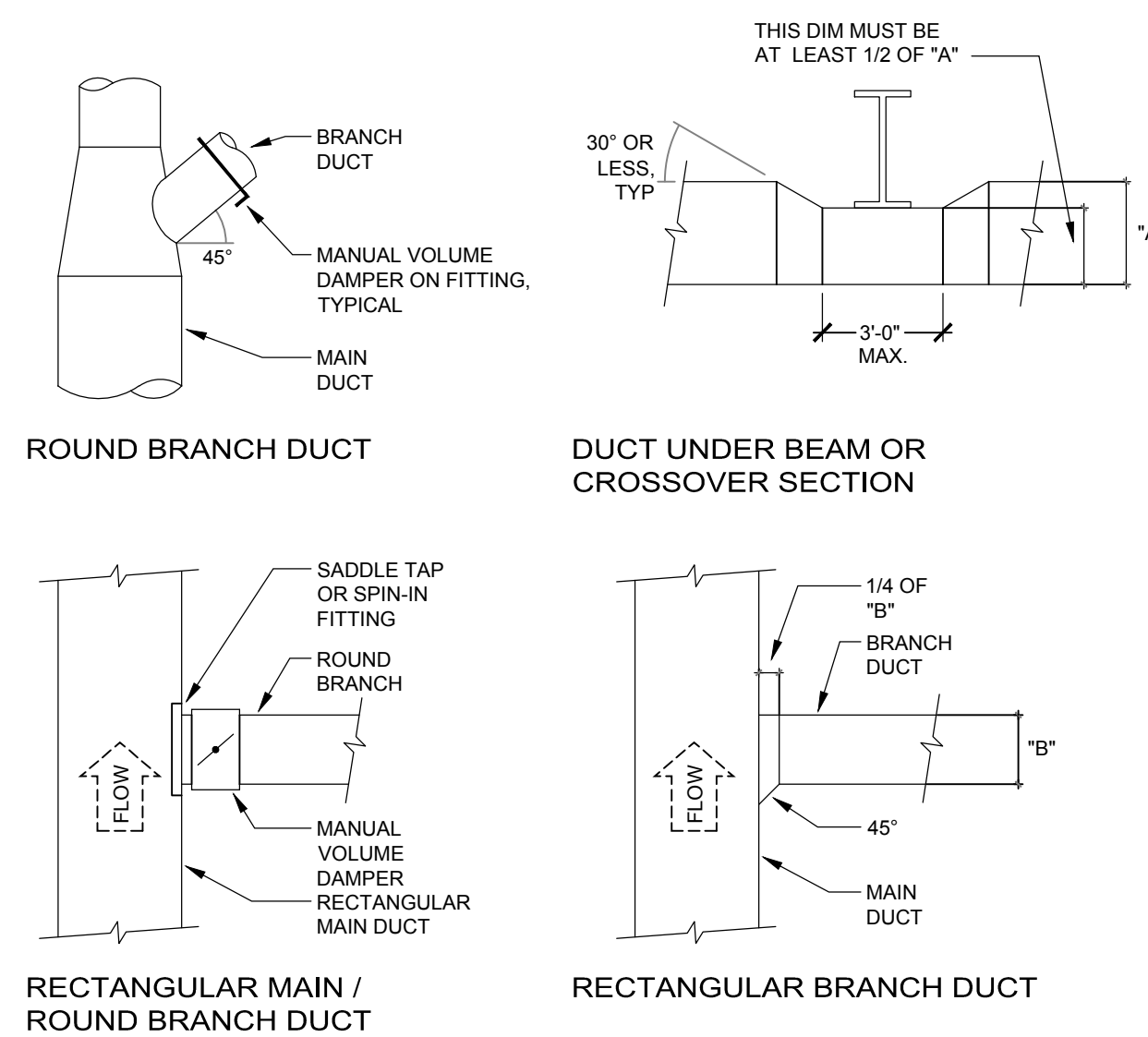
LEGEND/SYMBOLS

ROOF TOP UNIT	CEILING EXHAUST AIR GRILLE	SPIN IN FITTING WITH VOLUME DAMPER
EXHAUST FAN	CEILING RETURN AIR GRILLE	KEYED NOTE
DETAIL NUMBER	THERMA-FUSER TYPE TF-HC DIFFUSER	DEMOLITION KEYED NOTE
DETAIL LOCATION	BALANCE DAMPER	SMOKE DETECTOR
NECK SIZE XX	DIFFUSER/GRILLE TYPE XXX	EX. EXISTING
CEILING SUPPLY AIR DIFFUSER	FIRE DAMPER	TURNING VANES
	POINT OF CONNECTION	

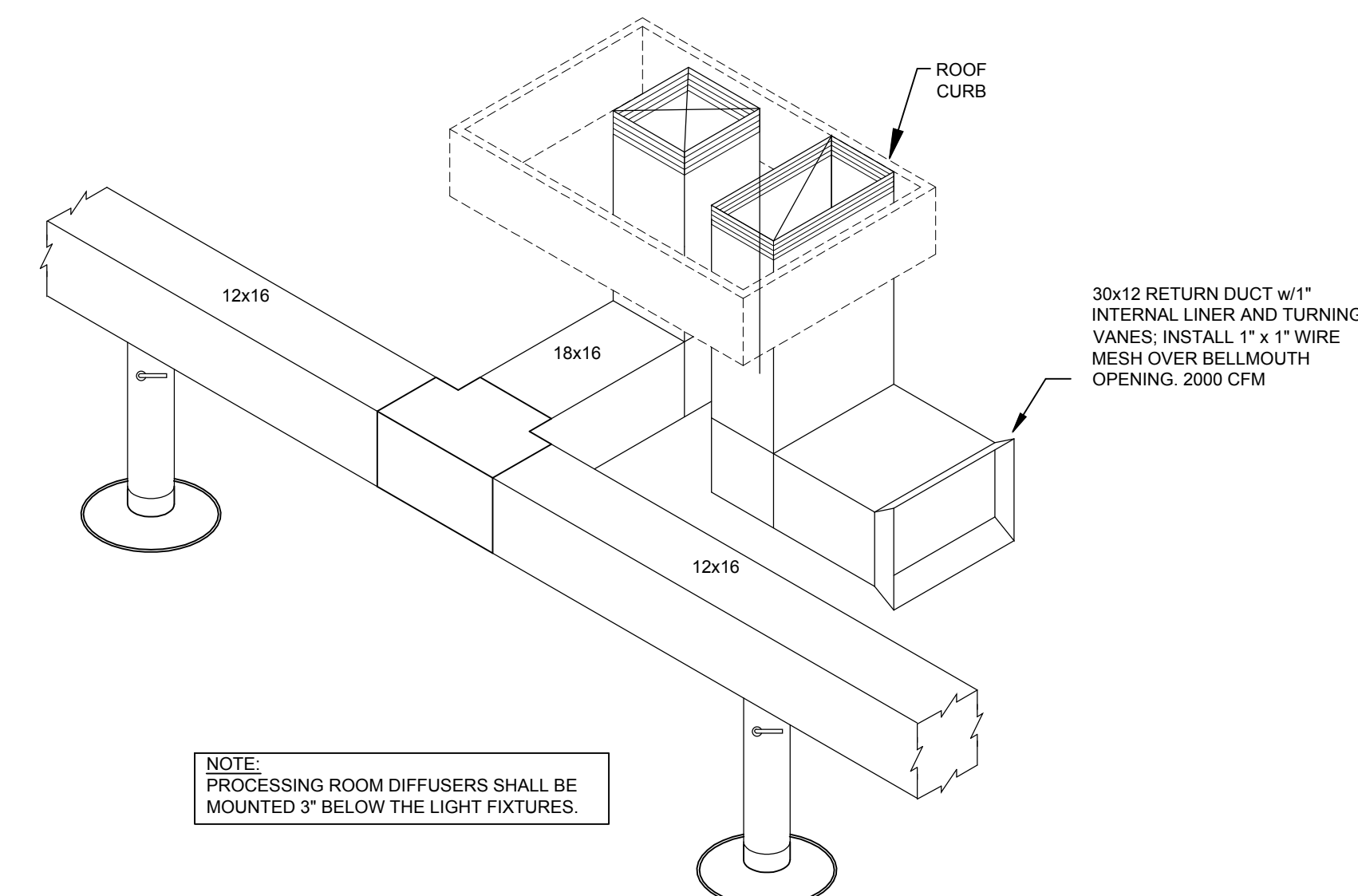
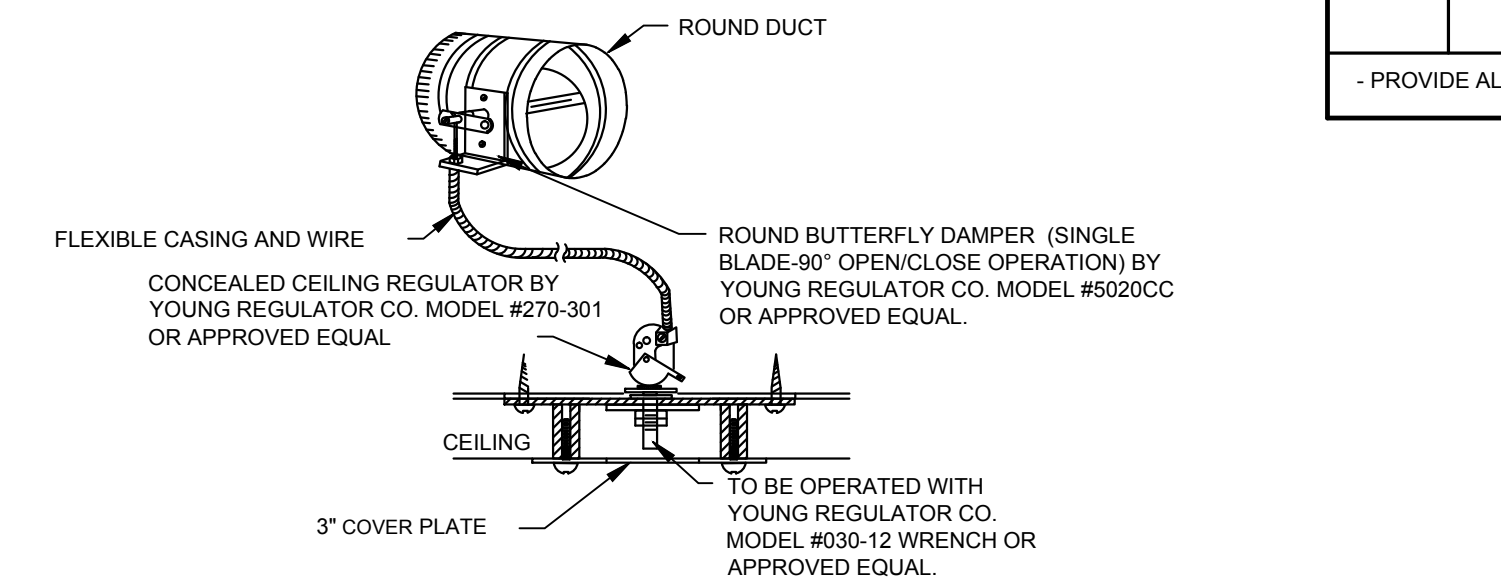


10 SALES FLOOR UNIT DETAIL
SCALE: NONE

9 RECEIVING DIFFUSER DETAIL
SCALE: NONE



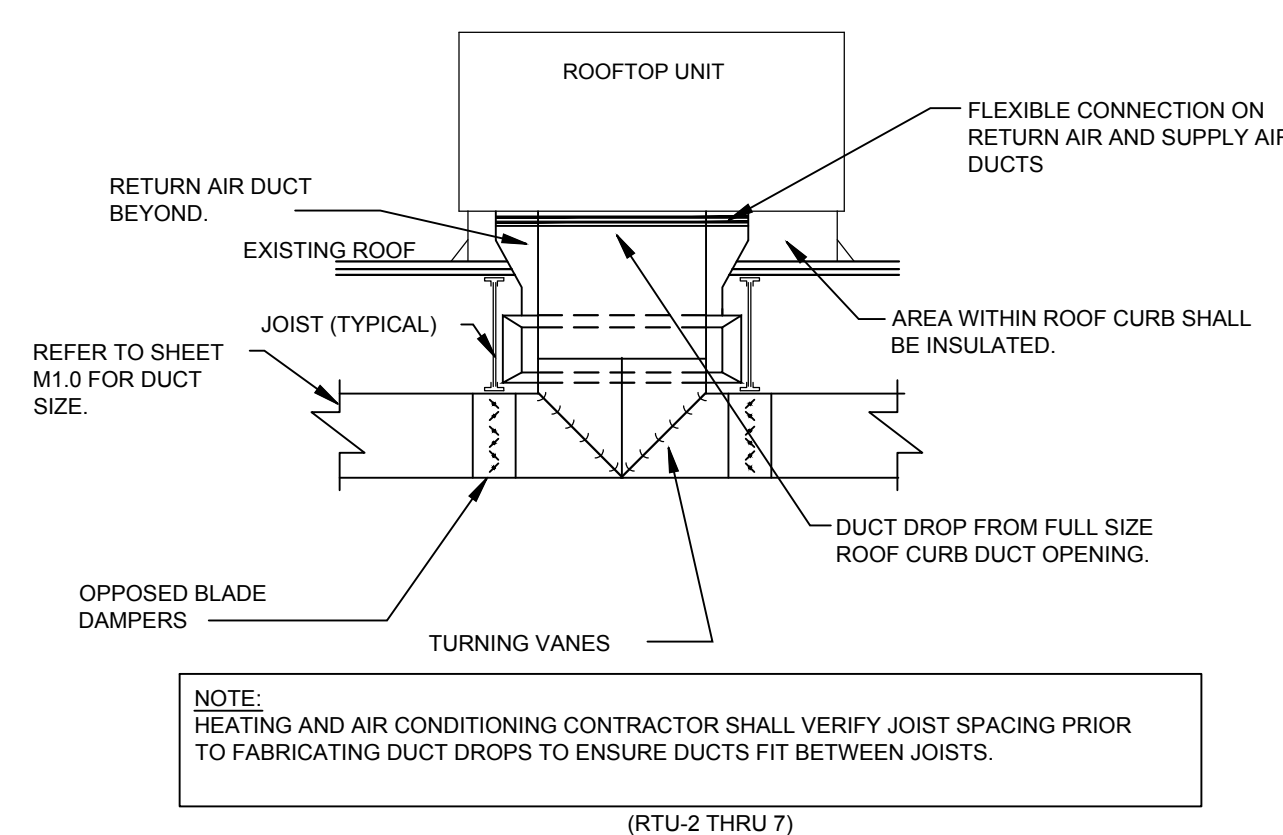
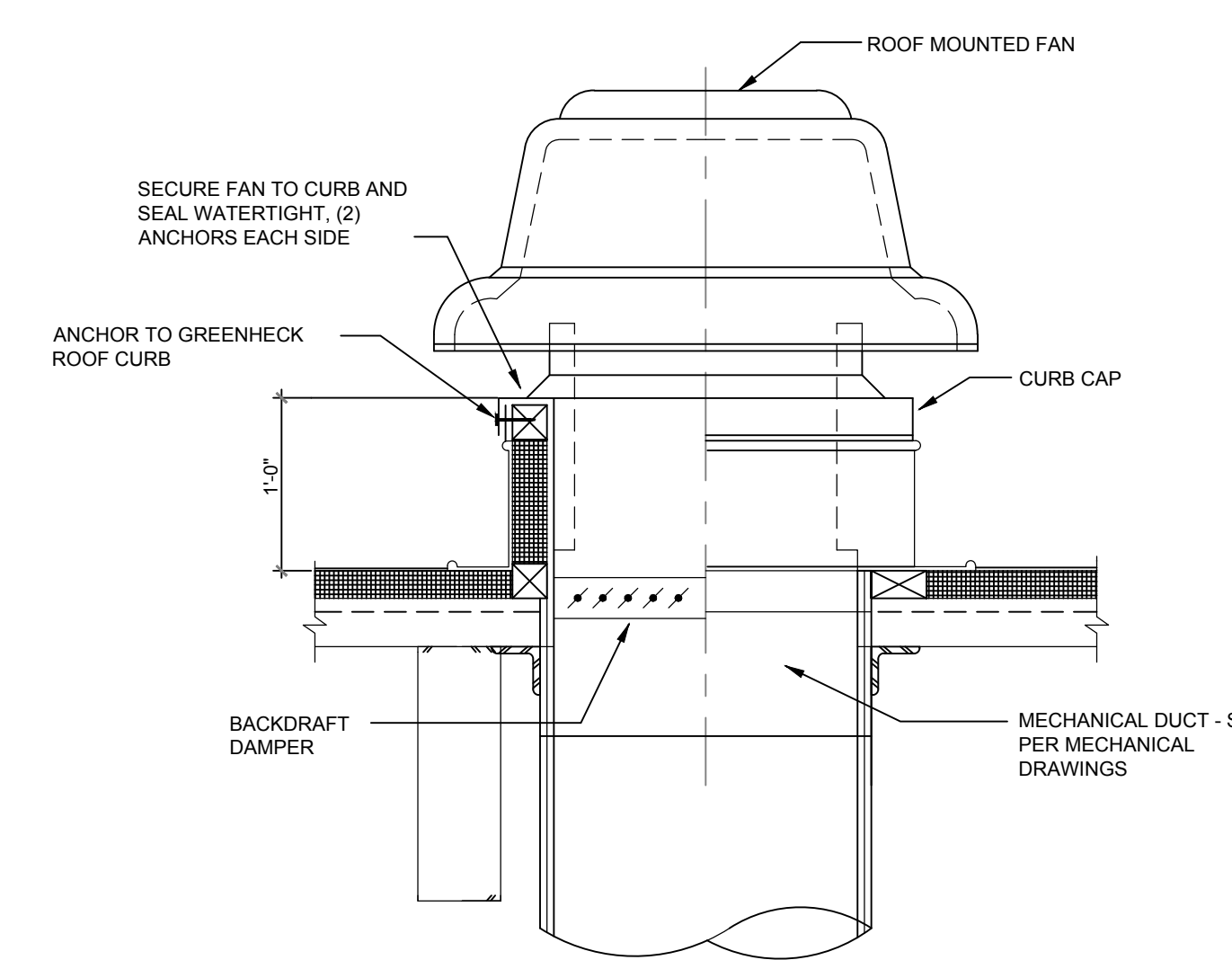
8 YOUNG REGULATOR DETAIL
SCALE: NONE



7 RTU-1 DETAIL
SCALE: NONE

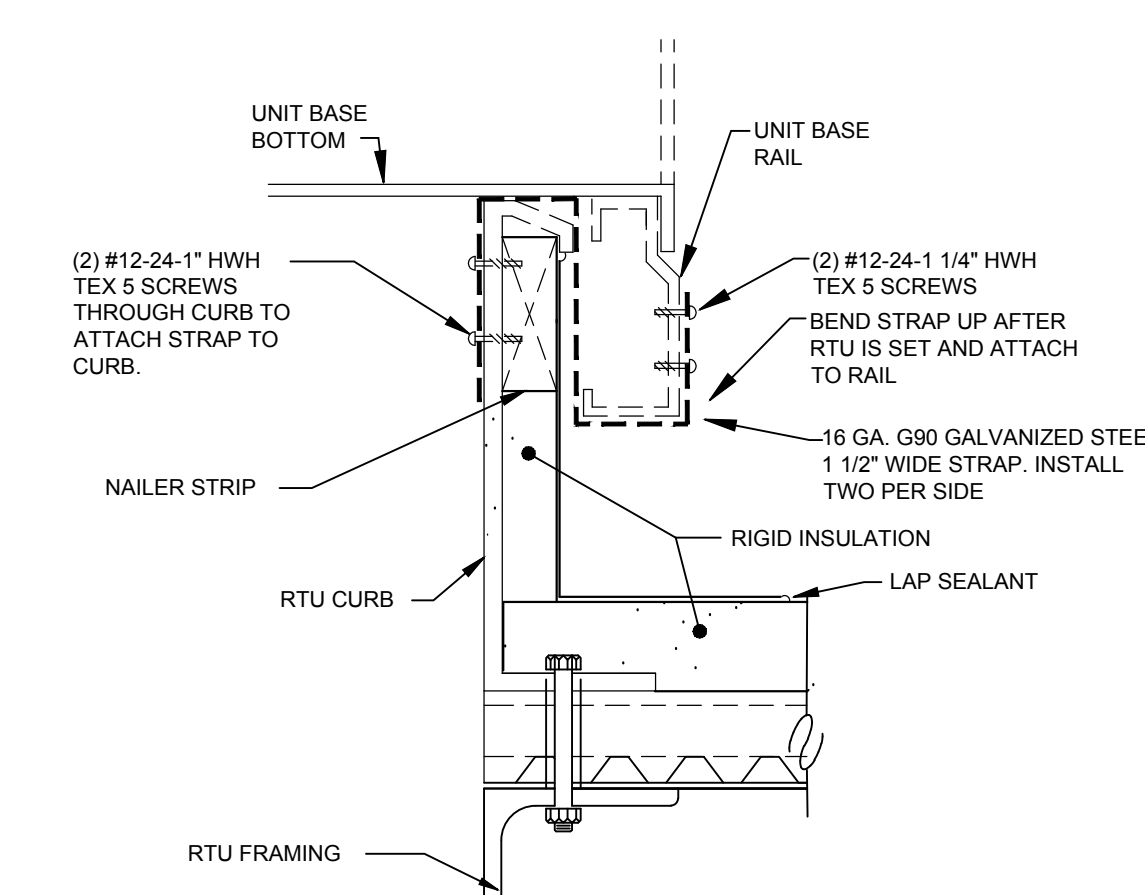
6 TYPICAL DUCT CONNECTIONS DETAIL
SCALE: NONE

5 ROOF MOUNTING EXHAUST FAN DETAIL
SCALE: NONE

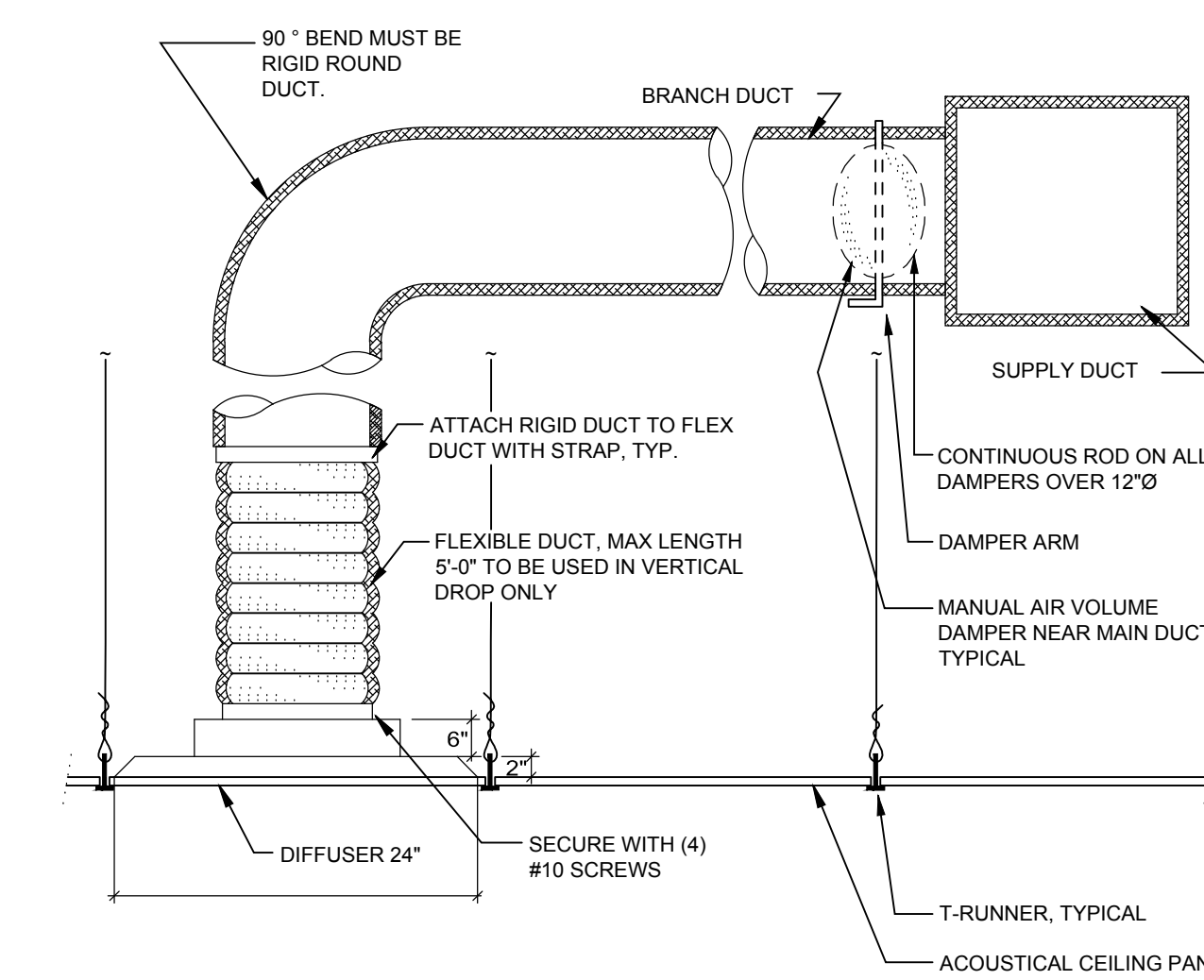


4 CURB SECTION DETAIL
SCALE: NONE

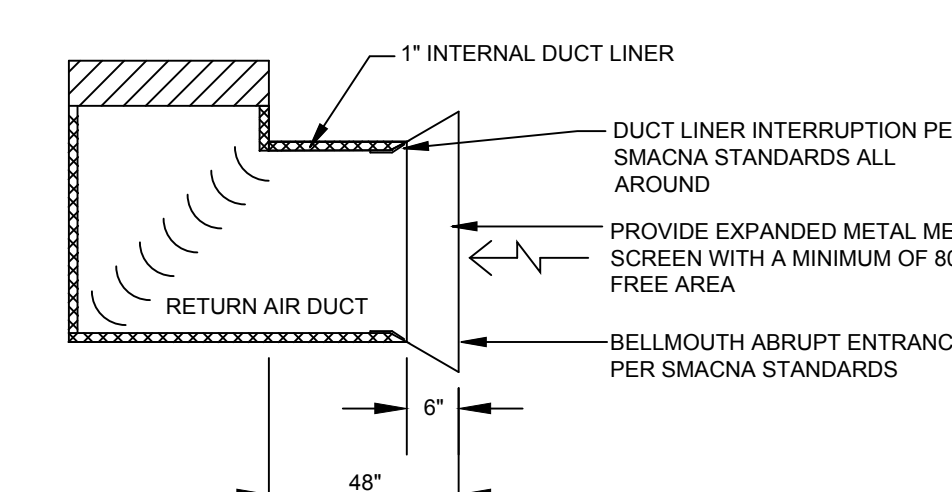
3 RTU ROOF CURB DETAIL
SCALE: NONE



2 CEILING DIFFUSER DETAIL
SCALE: NONE



1 RETURN DETAIL
SCALE: NONE



HVAC SCHEDULES AND DETAILS



CASCO PROJECT MANAGERS
10877 WATSON ROAD
ST. LOUIS, MO 63127

ddd's
DISCOUNTS

MIAMI UNIVERSITY PARK, FLORIDA
 FLORIDA INTERNATIONAL PLAZA
 10576 SW 8TH STREET
 MIAMI, FLORIDA, 33174
 ddd's DISCOUNTS STORE #5279

ISSUED DATES

OWNER: 12-22-14
PERMIT: 01-13-15
BID: 01-13-15

REVISIONS

FIRM REGISTRATION
ENGINEER: 29655
EXPIRATION: 02-28-15
31462-1100

MICHAEL C. GRAPPERHAUS
LIC. NO. 73620
EXP. DATE 02/28/15
PROFESSIONAL OF RECORD
PHONE: 314-621-1100

DRAWN BY
LCA
CHECKED BY
MCG
CASCO PROJECT NO.
914206
ISSUE DATE
01-13-15
SCALE
NONE
SHEET NUMBER
M2.0
ROSS
CRITERIA DATE:
JULY, 2014